

peerless-AV[®]

BLACK

KIL740

KIL742

KIL746

KIL747

KIL748

KIL755

SILVER

KIL740-S

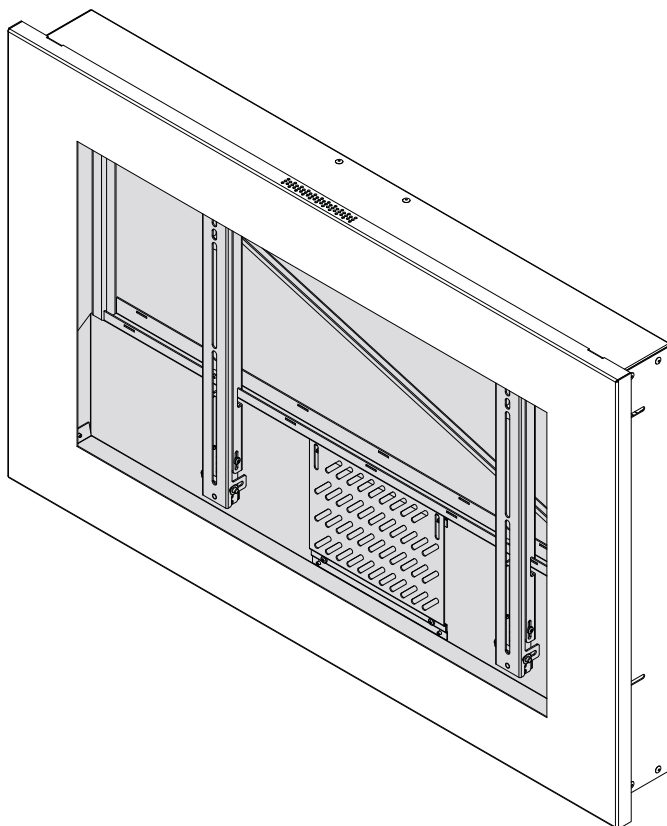
KIL742-S

KIL746-S

KIL747-S

KIL748-S

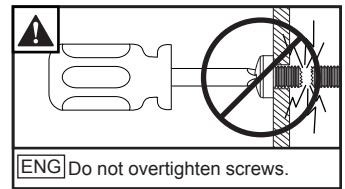
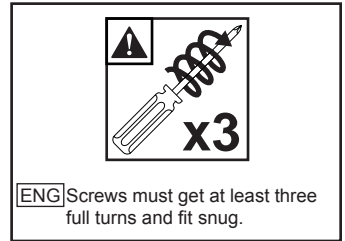
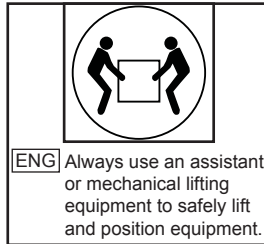
KIL755-S



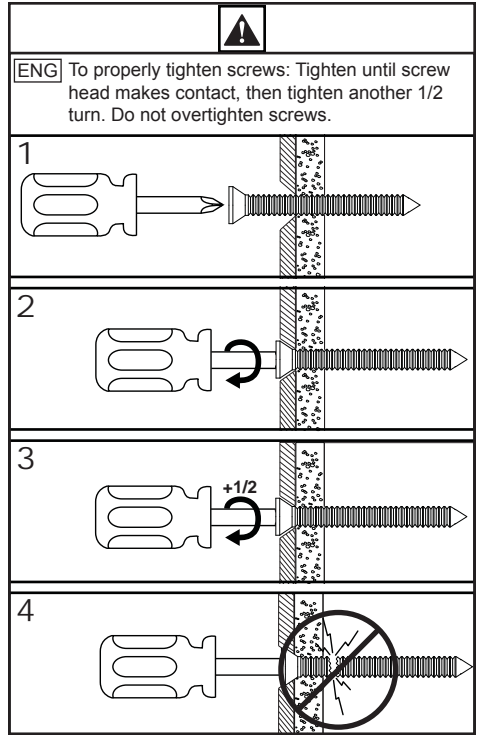
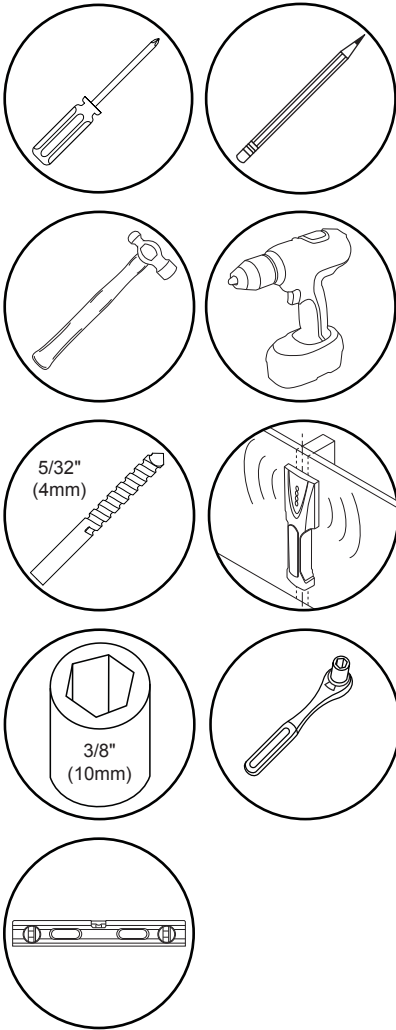
▲ WARNING

ENG - Do not begin to install product until you have read and understood the instructions and warnings contained in this user guide. This product is designed to be installed on wood stud walls. Hardware is included for wood stud installation. Before installing make sure the supporting surface will support the combined load of the equipment and hardware. Screws must be tightly secured. Do not overtighten screws or damage can occur and product may fail. Never exceed the Maximum Load Capacity. Always use an assistant or mechanical lifting equipment to safely lift and position equipment. This product is intended for indoor use only. Use of this product outdoors could lead to product failure or personal injury. To reduce the risk of electric shock or fire, do not expose product to water or moisture. Be sure power cord is routed so that it will not be tripped on, stepped on, or pinched by heavy items. Avoid overloading electrical outlets or extension cords. Always disconnect the power cord from the power outlet when installing, servicing, or not using the product for an extended period of time. Do not block ventilation slots or fan exhaust on product. Blocking airflow could damage product. Arrange product to allow air to flow freely around product. Keep product away from direct sunlight or any source of heat. For support please call 800-4-SIGNAGE.

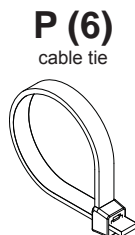
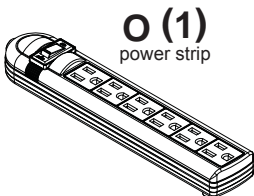
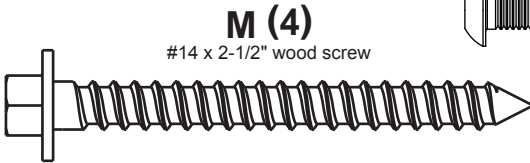
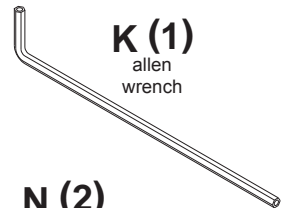
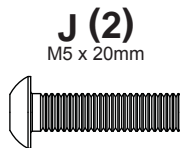
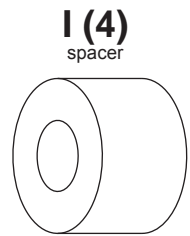
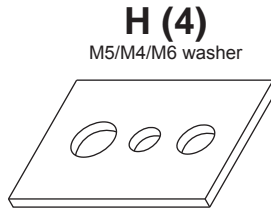
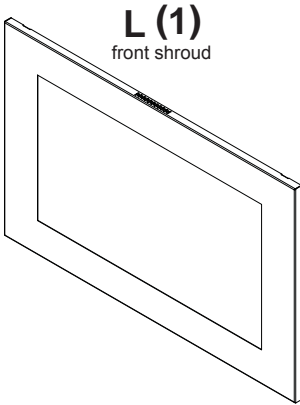
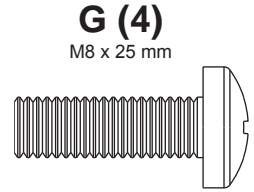
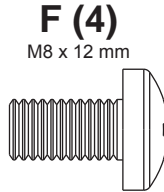
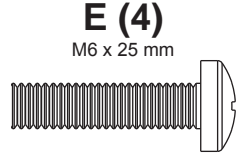
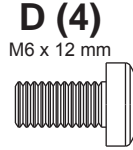
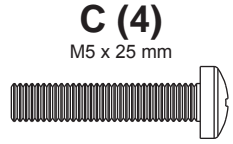
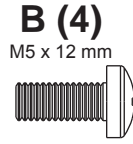
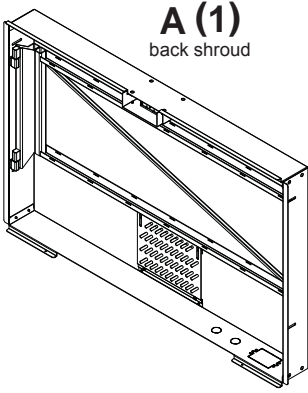
ENG Symbols



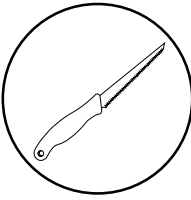
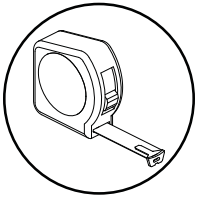
ENG Tools Needed for Assembly.



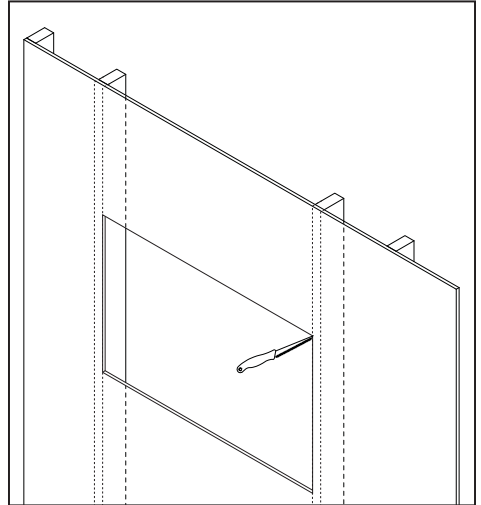
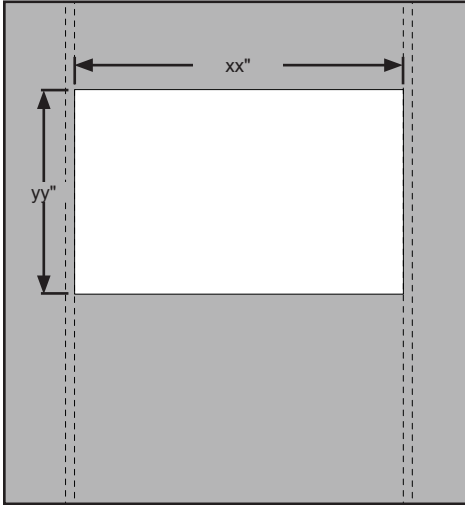
ENG Parts (Before beginning, make sure you have all parts shown below).



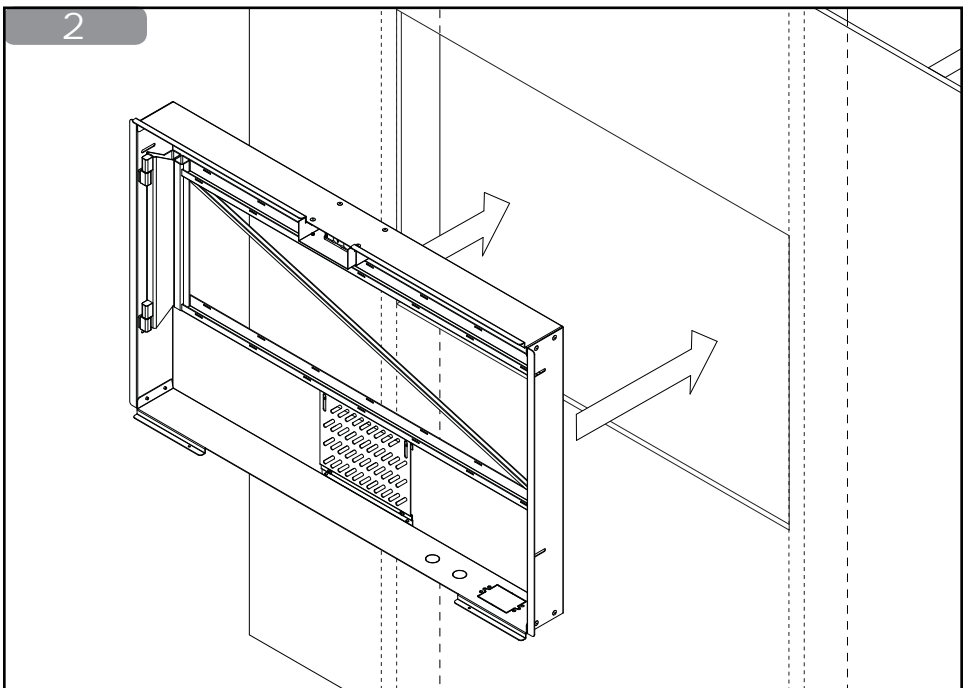
1



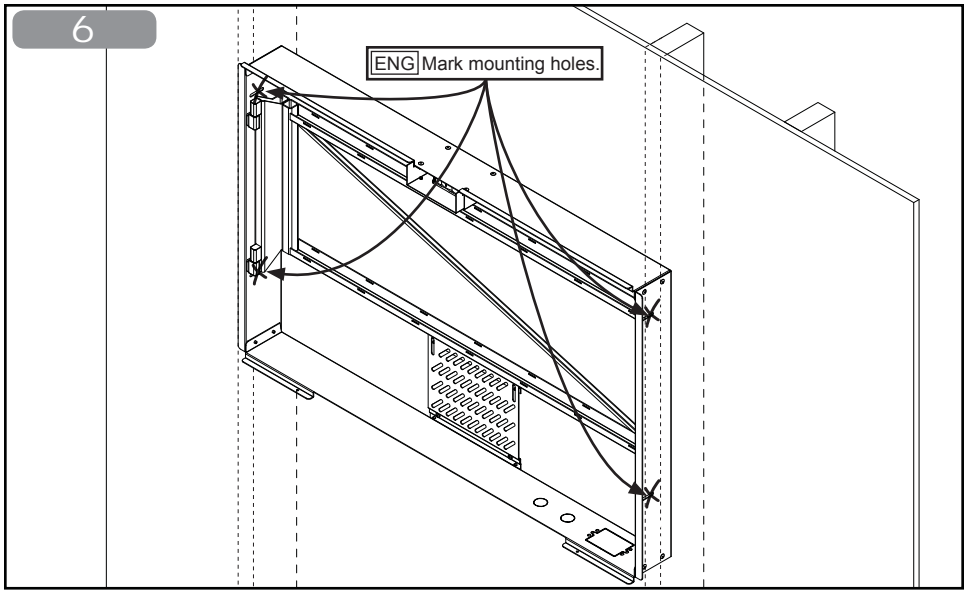
| | |
|-------------------------------|------------------------|
| KIL740, KIL742 | XX = 43.25, YY = 27.5 |
| KIL746, KIL747, KIL748 | XX = 48.25, YY = 30.25 |
| KIL755 | XX = 55.75, YY = 33.75 |



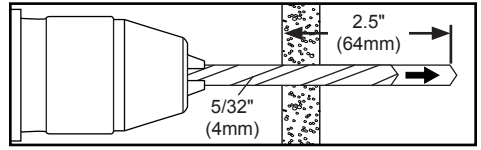
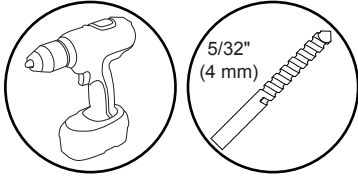
2



6

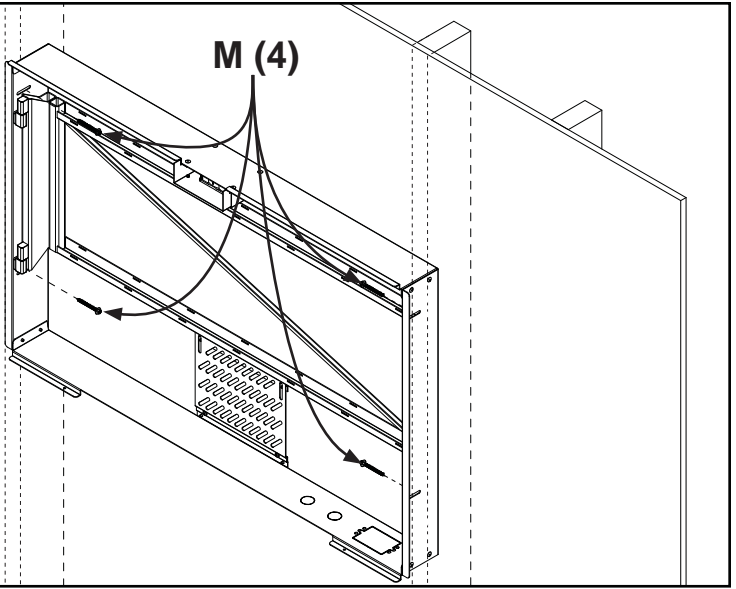


7

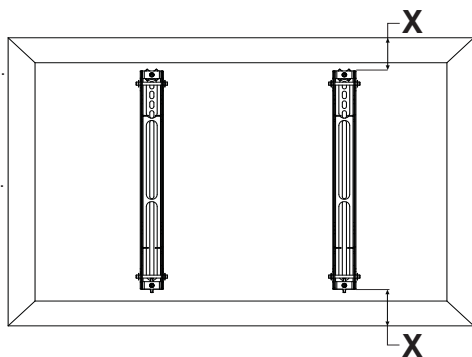




ENG Drill four mounting holes.

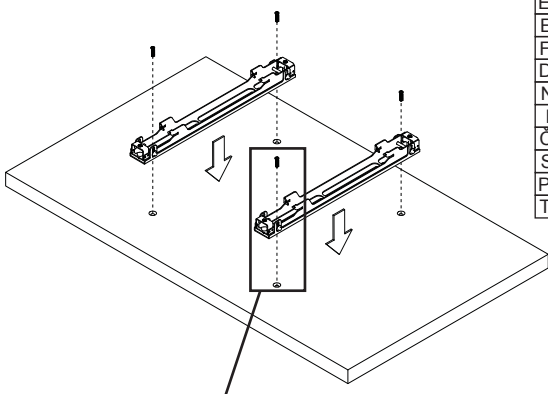
M (4)



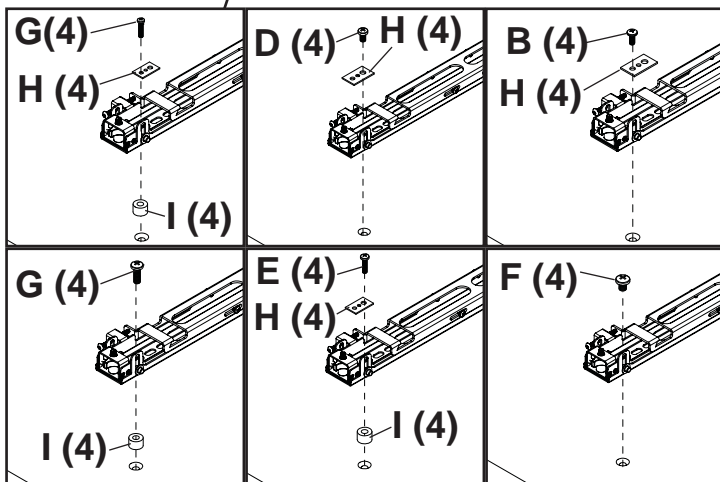
| | |
|-----|---|
| ENG | Center adapter brackets vertically on back of screen. |
| ESP | Centre verticalmente los soportes en la pantalla. |
| FRN | Centrez les supports à la verticale de l'écran. |
| DEU | Richten Sie die Halterungen senkrecht mittig an der Bildschirm. |
| NEL | Centreer de beugels verticaal op de van het scherm. |
| ITL | centra le staffe verticalmente sul dello schermo. |
| ČES | vycentrujte konzoly vvisle na zadní obrazovky. |
| SLK | vycentrujte konzoly zvisle na obrazovky. |
| POR | centre os suportes verticalmente no do ecrã. |
| TÜR | dirsekleri ekranın arkasına dikey olarak ortalayın. |



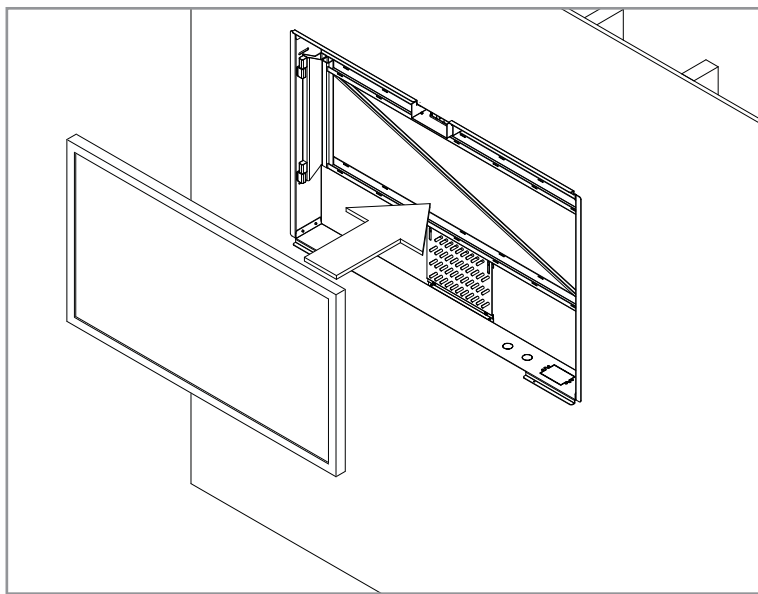
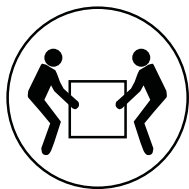
| | | |
|--|--|--|
|   | ENG | Screws must get at least three full turns and fit snug. |
| | ESP | Los tornillos tienen que dar, por lo menos, tres vueltas completas y quedar ajustados. |
| | FRN | Il faut effectuer au moins trois tours de vis complets et bien serrer les vis. |
| | DEU | Schrauben sind mindestens drei volle Umdrehungen einzudrehen und müssen fest anliegen. |
| | NEL | De schroeven moeten ten minste drie hele slagen worden aangedraaid en stevig vastzitten. |
| | ITL | Girare tre volte le viti che devono risultare aderenti. |
| | ČES | Šrouby se musí otočit minimálně tři plně otáčky a plně dosednout. |
| | SLK | Skrutky sa musia otočiť aspoň tri celé otáčky a tesne dosadnúť. |
| | POR | Os parafusos devem completar, no mínimo, três voltas completas e ajustar-se no local. |
| TÜR | Vidalara en az üç tam dönüş yapmalı ve sıkı oturmalıdır. | |



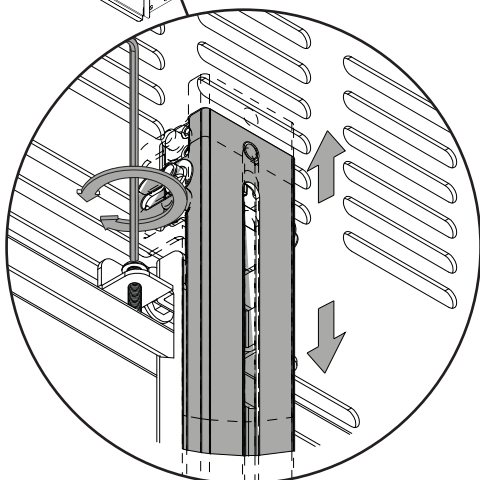
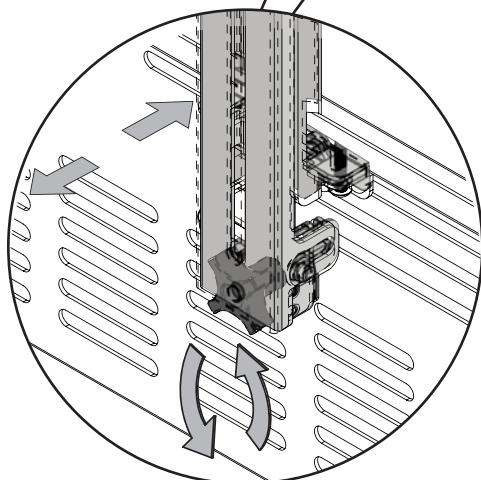
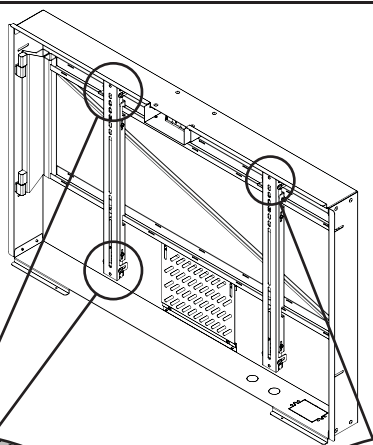
| | |
|-----|---|
| ENG | Use of spacers is OPTIONAL. |
| ESP | Uso de espaciadores OPCIONAL. |
| FRN | FACULTATIF utilisation d'entretoises. |
| DEU | OPTIONAL Verwendung von Abstandhaltern. |
| NEL | FACULTATIEF gebruik van tussenringen. |
| ITL | Uso OPZIONALE di distanziatori. |
| ČES | VOLITELNÉ použití rozpěr. |
| SLK | VOLITELNÉ použitie rozpierek. |
| POR | OPCIONAL utilize espaçadores. |
| TÜR | Ayrırcıların İSTEĞE BAĞLI kullanımı. |



10

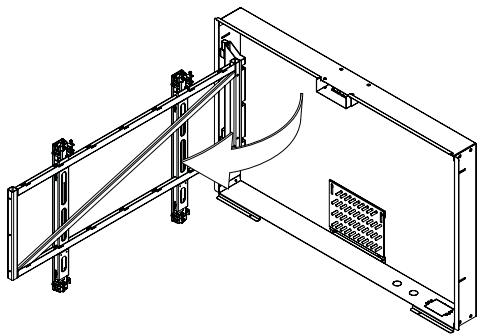


11

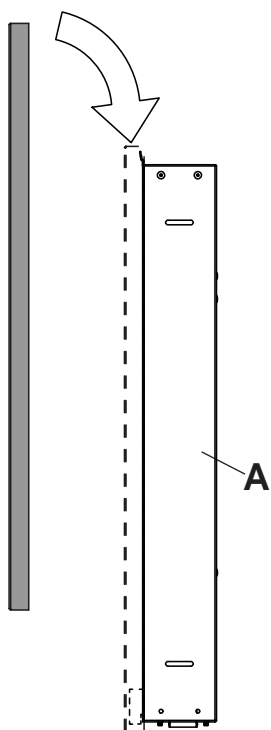


12

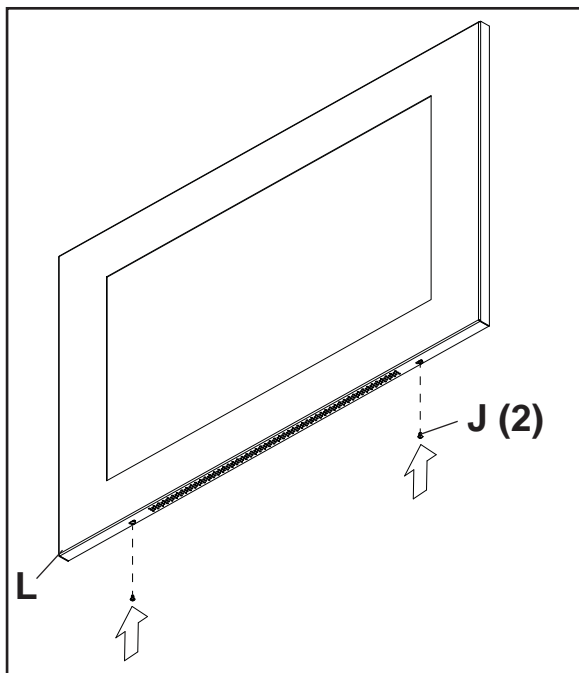
ENG Note: Mounting Arm swings out to access adapter brackets and behind display



12



13



LIMITED FIVE-YEAR WARRANTY

Peerless Industries, Inc. ("Peerless") warrants to original end-users of Peerless® products will be free from defects in material and workmanship, under normal use, for a period of five years from the date of purchase by the original end-user (but in no case longer than six years after the date of the product's manufacture). At its option, Peerless will repair or replace, or refund the purchase price of, any product which fails to conform with this warranty.

In no event shall the duration of any implied warranty of merchantability or fitness for a particular purpose be longer than the period of the applicable express warranty set forth above. Some states do not allow limitations on how long a implied warranty lasts, so the above limitation may not apply to you.

This warranty does not cover damage caused by (a) service or repairs by the customer or a person who is not authorized for such service or repairs by Peerless, (b) the failure to utilize proper packing when returning the product, (c) incorrect installation or the failure to follow Peerless' instructions or warnings when installing, using or storing the product, or (d) misuse or accident, in transit or otherwise, including in cases of third party actions and force majeure.

In no event shall Peerless be liable for incidental or consequential damages or damages arising from the theft of any product, whether or not secured by a security device which may be included with the Peerless® product. Some states do not allow the exclusion or limitation of incidental or consequential damages, so the above limitation or exclusion may not apply to you.

This warranty is in lieu of all other warranties, expressed or implied, and is the sole remedy with respect to product defects. No dealer, distributor, installer or other person is authorized to modify or extend this Limited Warranty or impose any obligation on Peerless in connection with the sale of any Peerless® product.

This warranty gives specific legal rights, and you may also have other rights which vary from state to state.

Patent Pending



Peerless-AV
2300 White Oak Circle
Aurora, IL 60502
Email: tech@peerlessmounts.com
Ph: (800) 865-2112
Fax: (800) 359-6500
www.peerless-av.com

© 2015, Peerless Industries, Inc.

Peerless-AV Europe
Unit 3 Watford Interchange,
Colonial Way, Watford, Herts,
WD24 4WP, United Kingdom
Customer Care
44 (0) 1923 200 100
www.peerless-av.com

© 2015, Peerless Industries, Inc.

Peerless-AV de Mexico
Ave de las Industrias 413
Parque Industrial Escobedo
Escobedo N.L. Mexico 66050
Servicio al Cliente
01-800-849-65-77
www.peerless-av.com

© 2015, Peerless Industries, Inc.